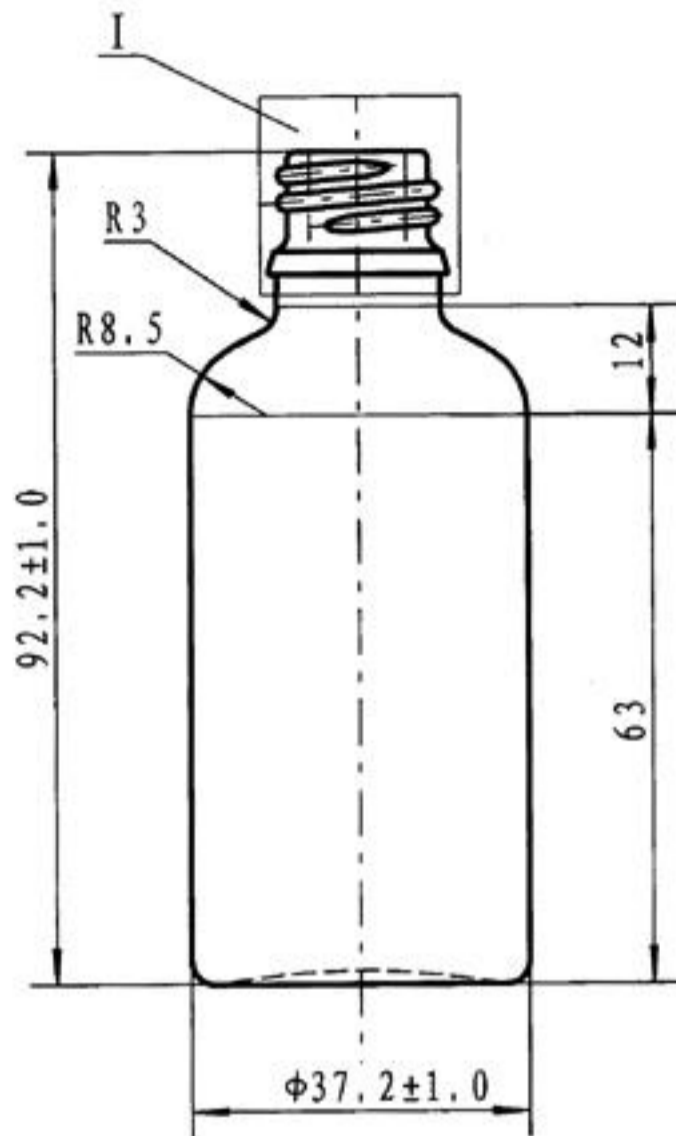
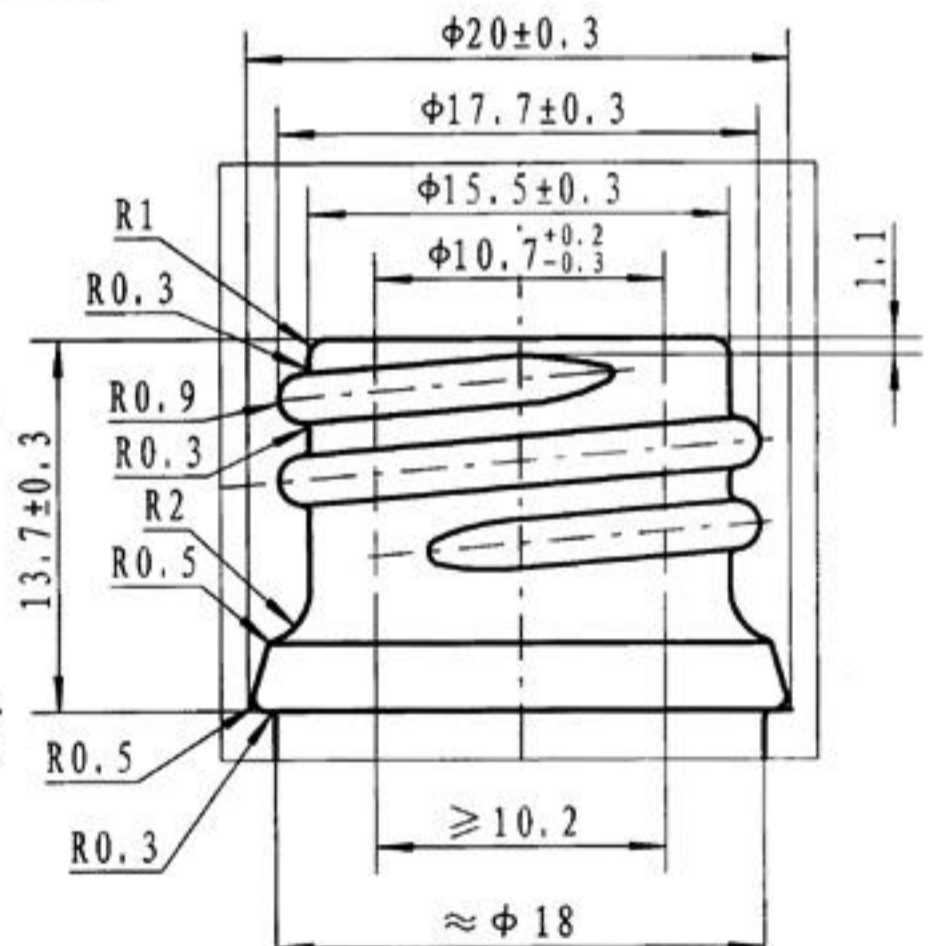
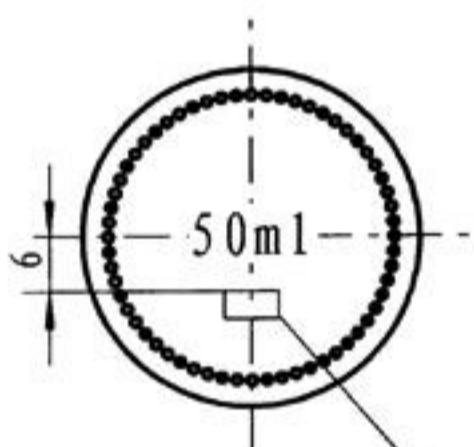


Specification sheet



瓶壁厚度 ≥ 1.0
瓶底厚度 ≥ 2.0

Screw-pitch: 3
Screw-breadth: 1.8
Screw-thread: 2.2



Filling Cap.:	50ml	DES'D by		REF. NO.:	490501 #
		Date:		DRG. NO.:	50ZOQ
Brimful Cap.:	57±4ml	CHK'D by		Material	Essence oil bottle, Type III
		Date:			Made of Soda-lime Silica Glass
Weight:	Around 55g	APP'D by		Silver Spur Corp.	
		Date:			