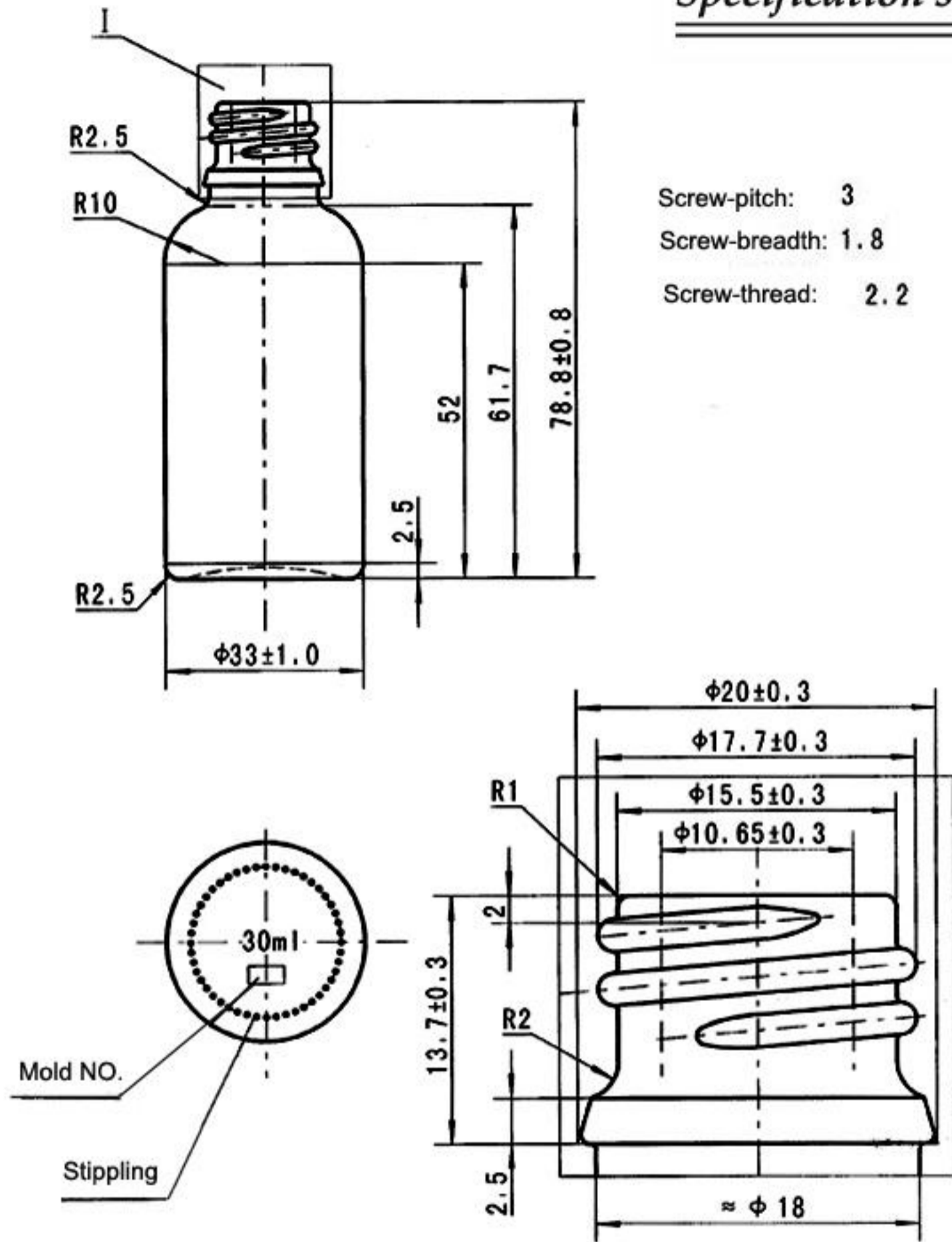


# Specification sheet



Screw-pitch: 3  
 Screw-breadth: 1.8  
 Screw-thread: 2.2

Filling Cap.:	30ml	DES'D by		REF. NO.:	490301 #
		Date:		DRG. NO.:	30ZOQ
Brimful Cap.:	35 $\pm$ 2ml	CHK'D by		Material	Essence oil bottle, Type III
		Date:			Made of Soda-lime Silica Glass
Weight:	Around 48g	APP'D by		<b>Silver Spur Corp.</b>	
		Date:			