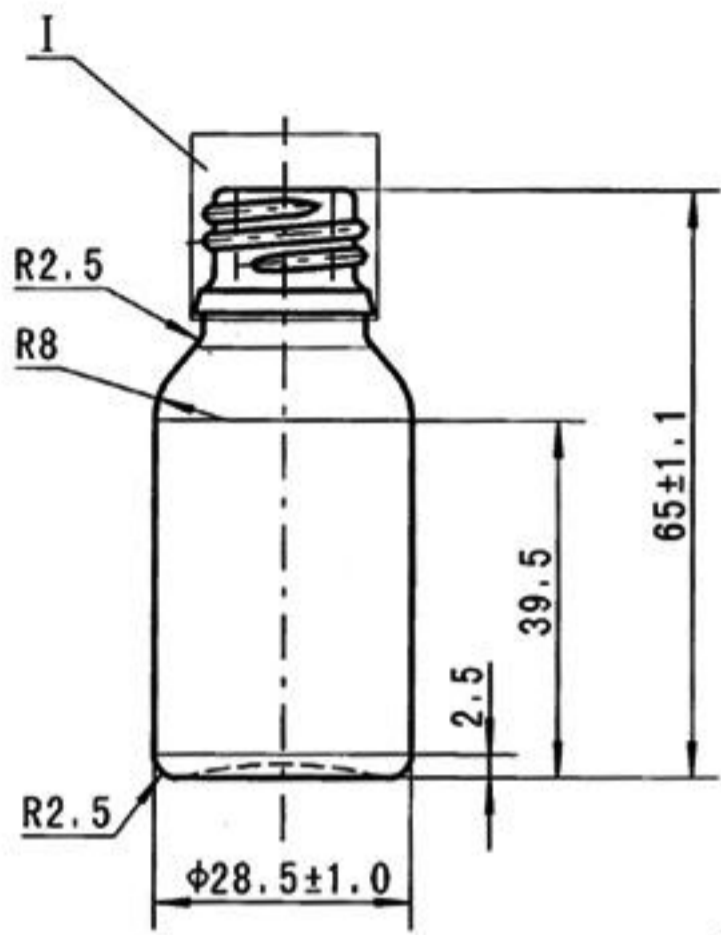
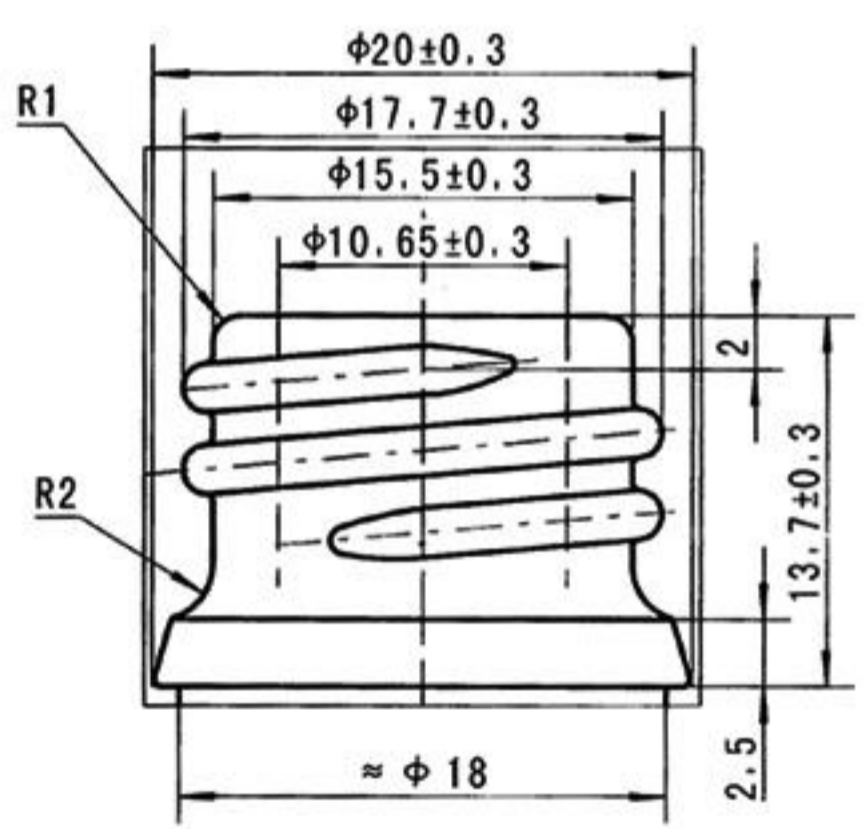
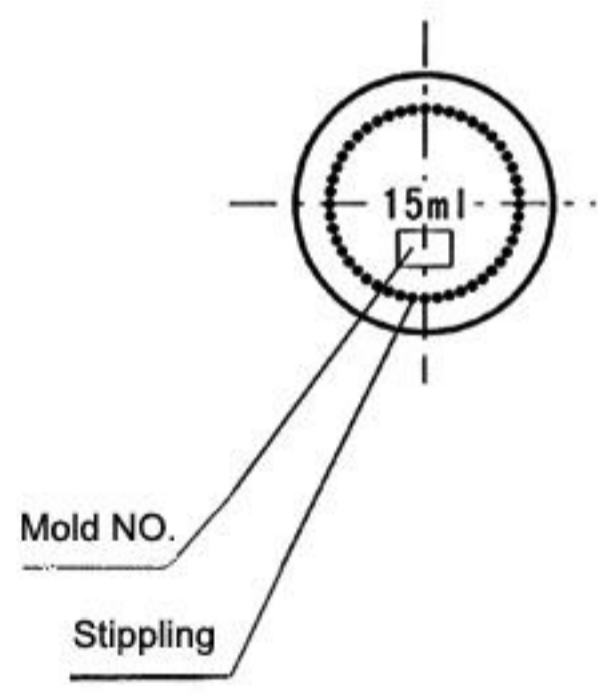


Specification sheet



Screw-pitch: 3
 Screw-breadth: 1.8
 Screw-thread: 2.2

I
 3:1



Filling Cap.:	15ml	DES'D by		REF. NO.:	490151 #
		Date:		DRG. NO.:	15ZOQ
Brimful Cap.:	20±2ml	CHK'D by		Material	Essence oil bottle, Type III
		Date:			Made of Soda-lime Silica Glass
Weight:	Around 35g	APP'D by		Silver Spur Corp.	
		Date:			