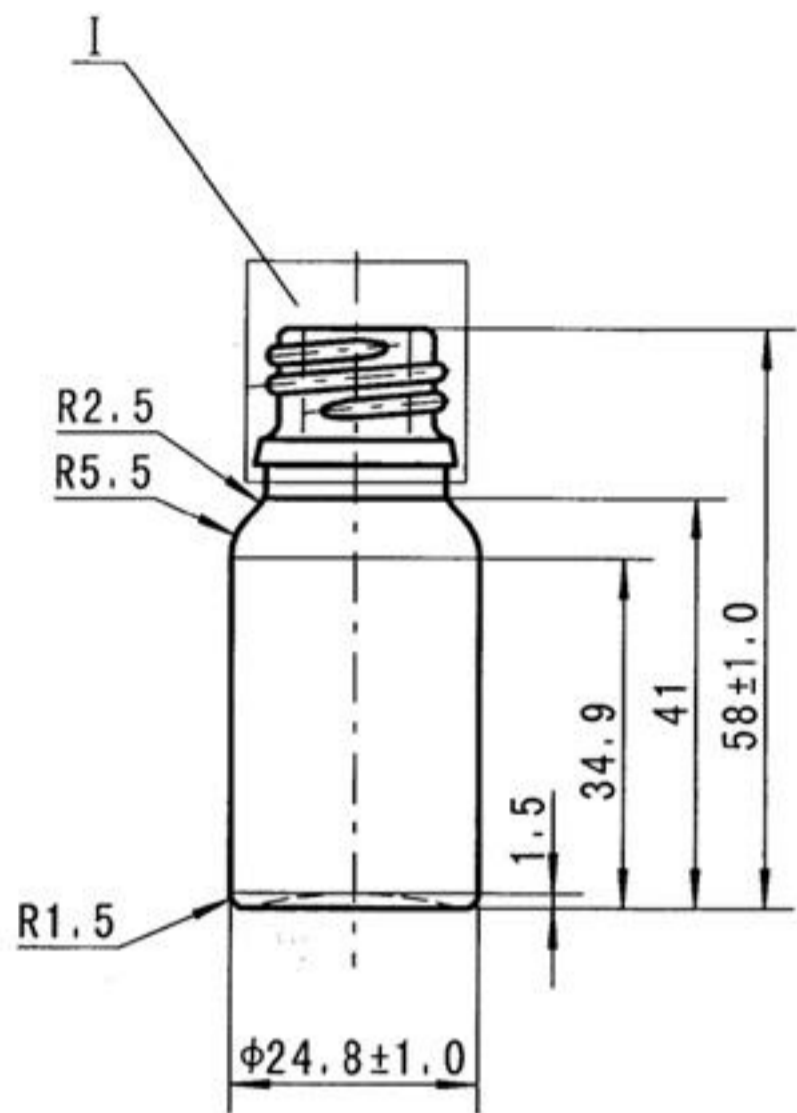
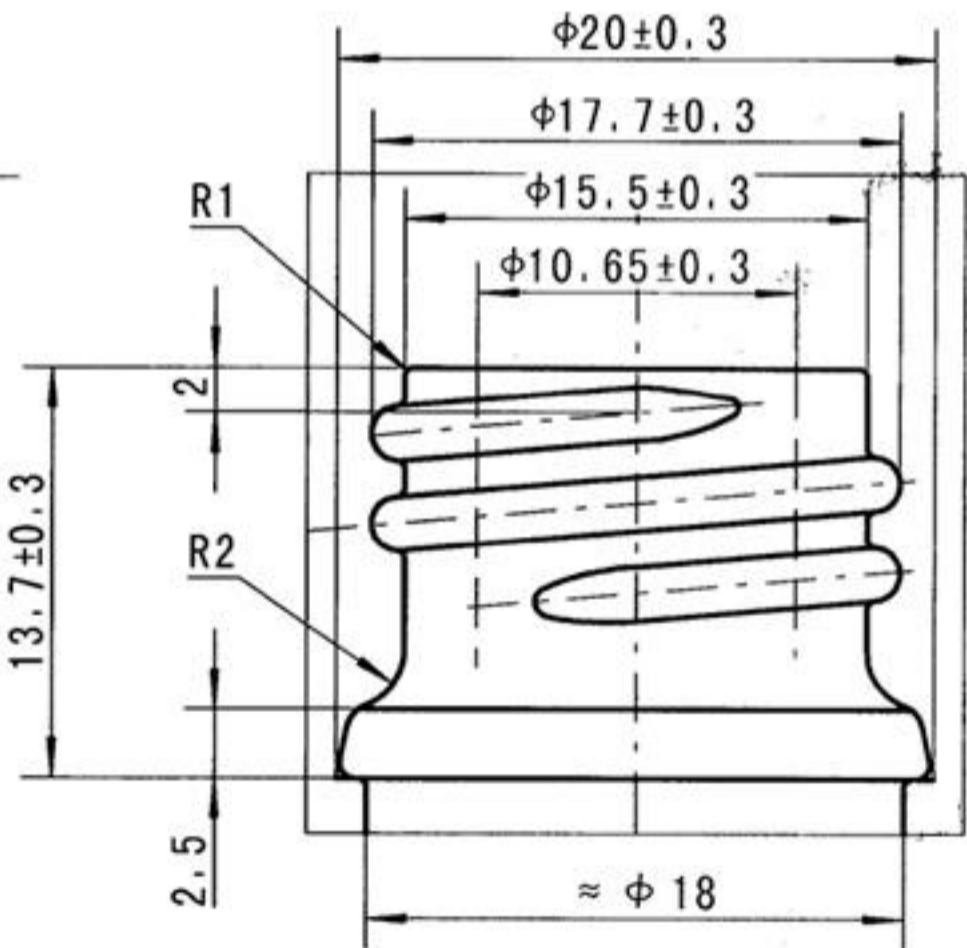
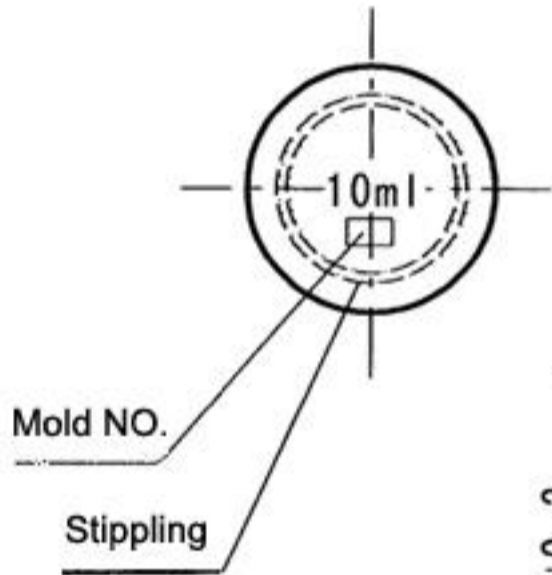


Specification sheet



Screw-pitch: 3
 Screw-breadth: 1.8
 Screw-thread: 2.2

I
 3:1



Filling Cap.:	10ml	DES'D by	Date:	REF. NO.:	490101 #
			Date:	DRG. NO.:	10ZOQ
Brimful Cap.:	12.5±2ml	CHK'D by	Date:	Material	Essence oil bottle, Type III
			Date:		Made of Soda-lime Silica Glass
Weight:	Around 27.5g	APP'D by	Date:	Silver Spur Corp.	
			Date:		