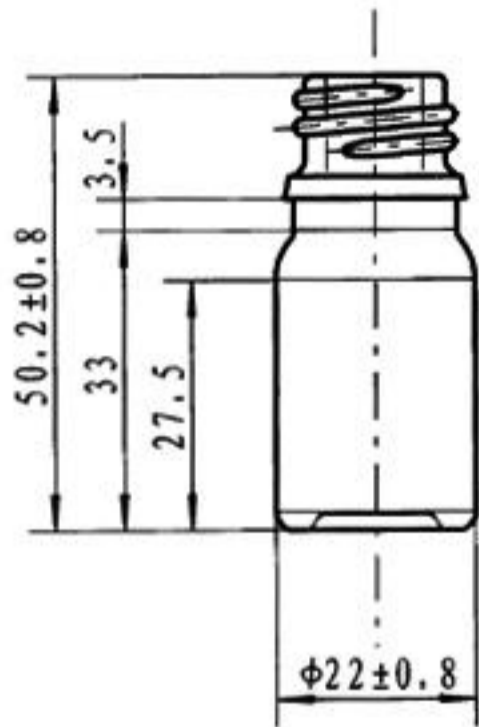
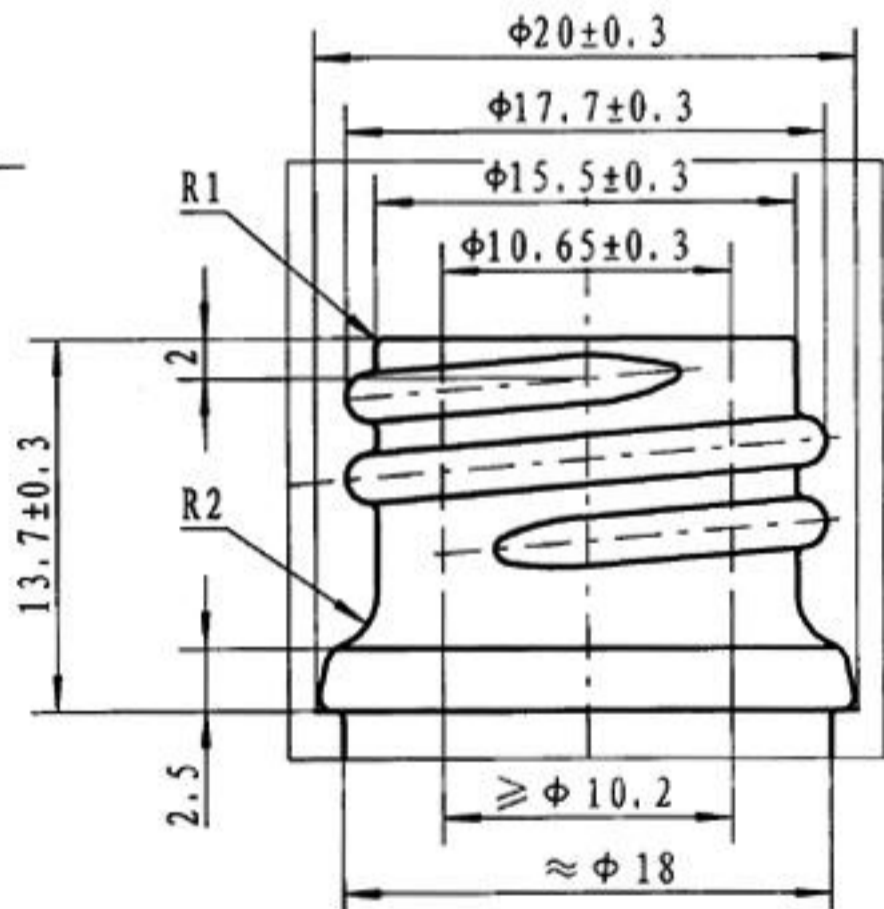
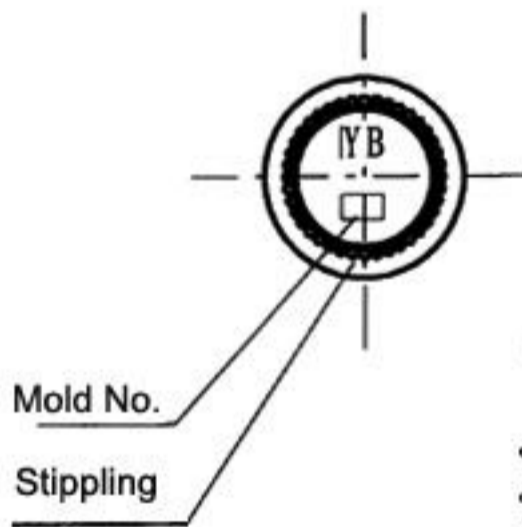


Specification sheet



Screw-pitch: 3
 Screw-breadth: 1.8
 Screw-thread: 2.2

3: 1



Filling Cap.:	5ml	DES'D by		REF. NO.:	490051 #
		Date:		DRG. NO.:	5ZMD
Brimful Cap.:	6.7 ± 1.5 ml	CHK'D by		Material	Essence oil bottle, Type III
		Date:			Made of Soda-lime Silica Glass
Weight:	Around 22g	APP'D by		Silver Spur Corp.	
		Date:			